




The ATEX approved JCE range of flameproof Photocell units are intended for use in areas made potentially hazardous by the presence of flammable liquids, gases, vapours and dusts (Zones 1, 2, 21 and Zone 22). Certified for Group IIC locations.

Their function is to switch light fittings automatically according to Lux levels.

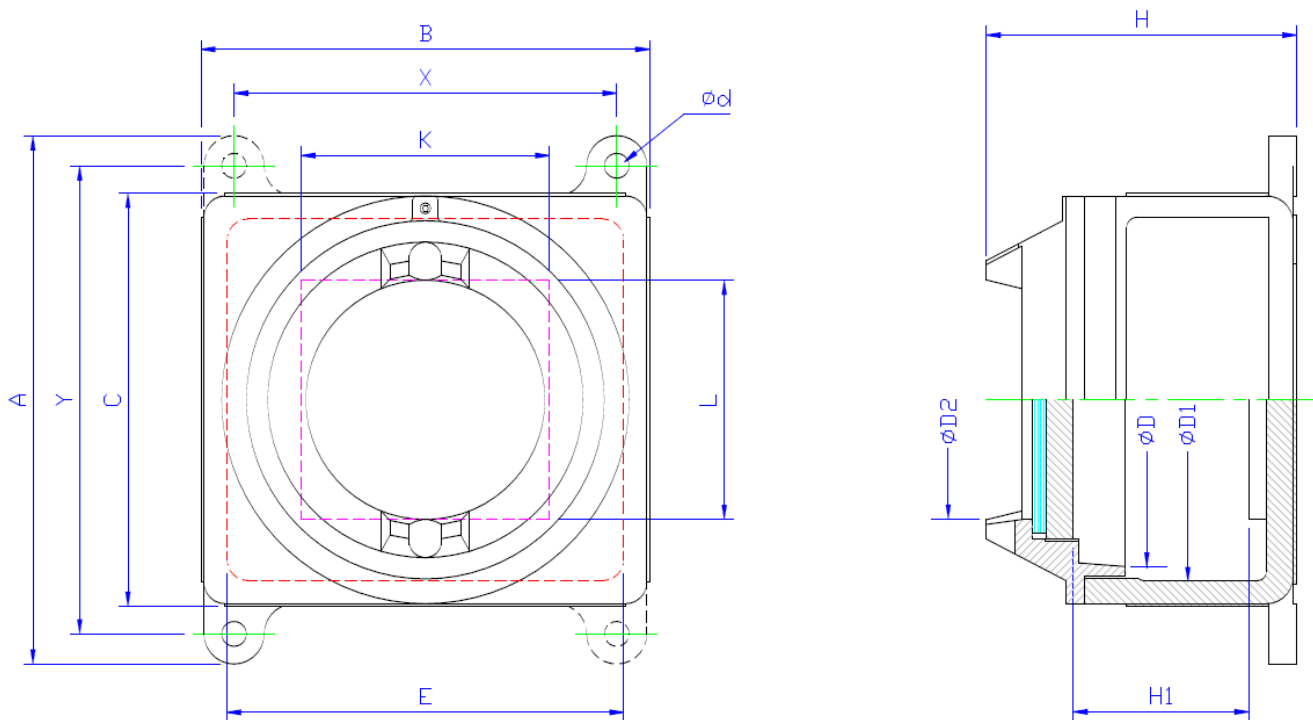
Materials and Finish

- Body & Cover -** Aluminium alloy EN AC-42000 (LM25) to BS EN 1706:1998 with less than 0.2% copper content.
- Mounting Plate -** Mild steel zinc plated (passivated)
- Locking Screw -** Stainless steel (304)
- Window -** Heat resistant toughened glass
- Finish -** Polyester powder coated black
- Earthing -** All enclosures are supplied with a 6mm stainless steel (304) internal and external earth stud as standard. Larger internal earths can be fitted.

Ratings and Approvals

- Categories -**  II 2 G D
- Codes -** Ex d IIC T6
- Protection Grade -** IP66
- Certificate Nos -** ISSeP03ATEX005
- Temperature -** -20°C to +40°C

Dimensions



Enclosure Cat No	Overall Dimensions				Internal Dimensions						Mounting			No. Lugs	Mtg. Plate		Wt Kg
	A	B	C	H	ØD 2	ØD	ØD 1	E	F	H1	X	Y	Ød		K	L	
PCU1	220	176	176	130	86	135	146	146	146	70	145	200	10	2	100	105	4.35

Options

Most standard RAL colours available
Voltage options available
Entry configurations

Miniature Thermal Photocell

Remote sensor	- Cadmium sulphide Cell
Output	- Thermal switch
Switching Differential	- 1:3 Positive
Voltage	- 230V -6% + 10% 50 Hz (others by request)
Maximum Lamp load	- 1 x 250W HPS 60uF PFC
Maximum Resistive Load	- 2000 Watts
Power consumption	- 1.2W (day)



JCE (Europe) Ltd, East Way, Lee Mill Industrial Estate, Ivybridge, PL21 9LL
Tel: +44 (0) 1752 690530 Fax: +44 (0) 1752 690531
Email: info@jcegroup.com

JCE Group (UK) Ltd, Blackburn Business Park, Aberdeen, AB21 0PS
Tel: +44 (0) 1224 798600 Fax: +44 (0) 1224 798601
Email: info@jcegroup.com

www.jcegroup.com

- Specify cable entry and thread form on ordering.
- Details of certification and conformity can be provided on request.
- All products sold subject to our terms and conditions of business.
- Health and Safety at Work Act 1974. In the UK all equipment must be installed and disposed of (as required) within the legislative requirements of the Health & Safety at Work Act 1974.
- We reserve the right to make alterations to the technical data dimensions, weights, designs and product available without notice.
- The illustrations should not be considered legally binding.