

The JCE range of EJB explosion proof enclosures are intended for use in areas made potentially hazardous by the presence of flammable liquids, gases, vapours and dusts (Zones 1, 2, 21 and 22).

Their function is to house a wide range of electrical equipment and devices including terminals, relays, contactors, variable speed drives, PLCs, batteries, and other transmitting/receiving instruments. They can be custom built to exact specification.


For indication instruments, please see the JCE range of EJB window enclosures (EJBW).

The JCE Group EJB enclosures are compatible with the entire range of JCE components, which include: Push Buttons (PB), Pilot Lights (PL), Emergency Stop Buttons (ES), Key Switches (KS) and Flameproof Handles (SS).

Materials and Finish

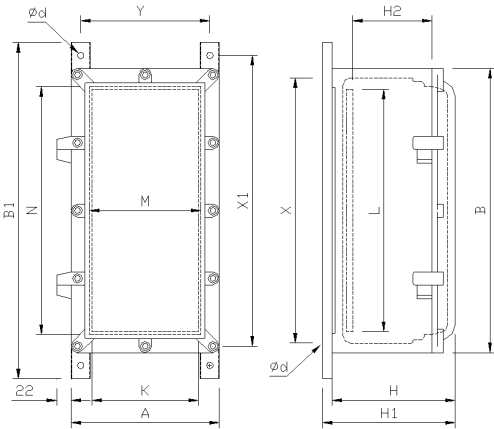
Body & Cover -	Aluminium alloy ENAC-42000 (LM25) to BS EN 1706:1998 with less than 0.2% copper content.
Cover Bolts -	Stainless steel (304)
Mounting Plate -	Mild steel zinc plated (passivated) Aluminium (EJB60)
Finish -	Natural. A corrosion resistant finish is also available, see options.
Earthing -	All enclosures are supplied with a 6mm stainless steel (304) internal and external earth stud as standard. Larger internal earths can be fitted on request.
Gasket -	Silicone AD16

Ratings and Approvals

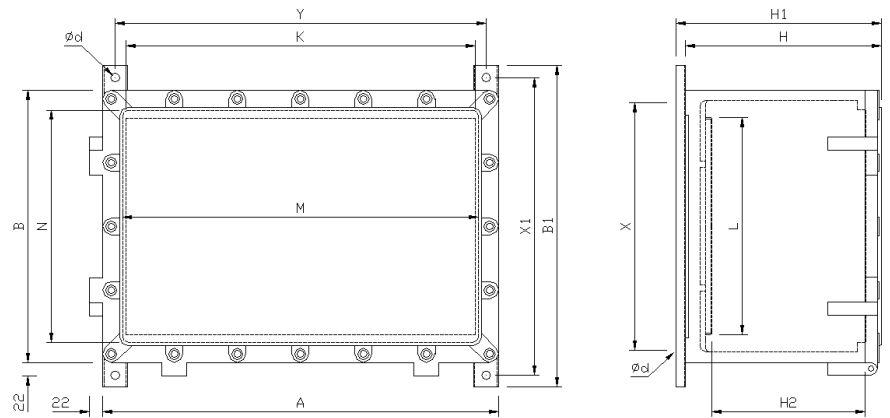
Categories -	 II 2 (1) G II 2 (1) D
Codes -	Ex d [] IIB T4...T6 Gb Ex d [] IIB+Hz T4...T6 Gb Ex tb [] IIIC T135...T85°C Db Ex d op pr [] IIB T4...T6 Gb Ex d op pr [] IIB+Hz T4...T6 Gb Ex tb op pr [] IIIC T135...T85°C Db
Protection Grade -	IP66
Certificate Nos -	TRAC12ATEX0020X IECEX TRC 12.0008X RU C-GB.M IO 62.B.03985
Temperature -	-40°C to +60°C (See page 3 for full specifications)

Dimensions

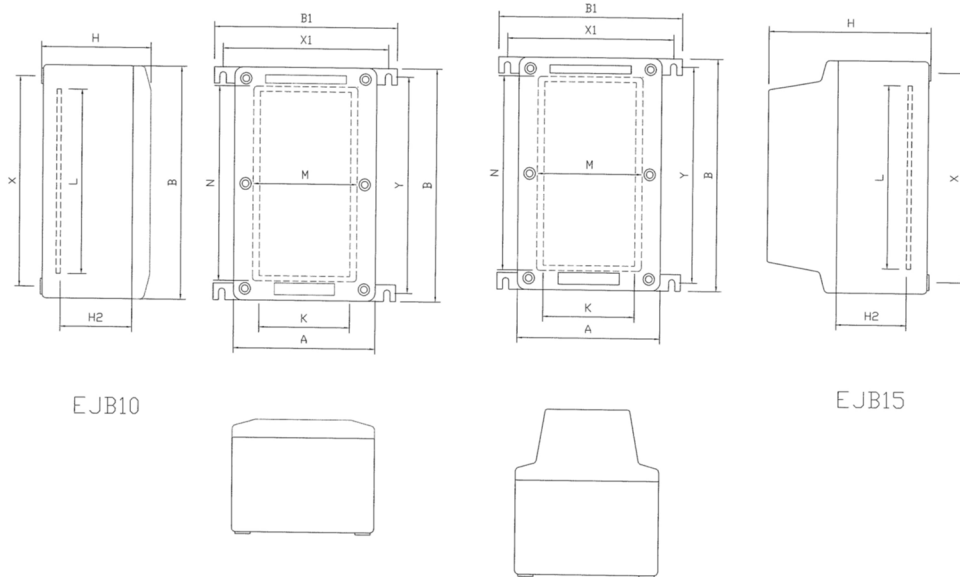
EJB S1/S2



EJB 2/3/4/5



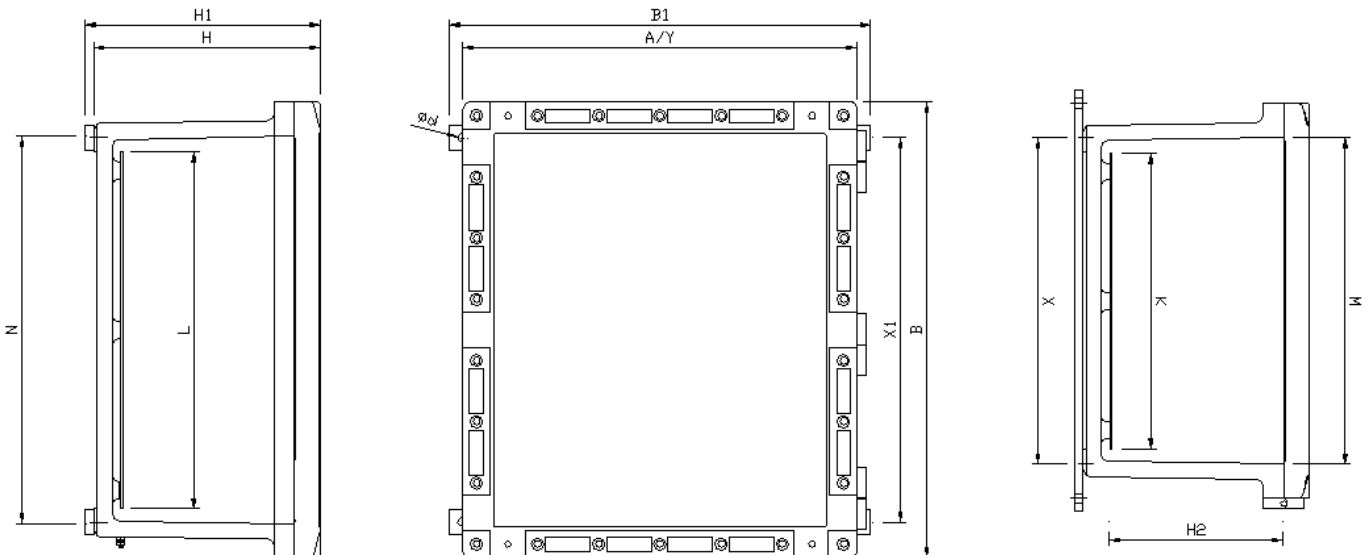
EJB 10/15



EJB10

EJB15

EJB 60



ENCLOSURE	OVERALL DIMENSIONS						MOUNTING DETAILS					MOUNTING PLATE		ENCL. OPENING		WT (KG)
	Cat. No	A	B	B1	H	H1	H2	X	X1	Y	d	Ød	K	L	M	
EJBS1	180	260	330	193	208	123	230	300	150	M8	10	120	200	125	205	9
EJBS2	230	440	510	191	206	123	410	480	200	M8	10	165	375	173	385	13.9
EJB2	400	200	280	197	212	130	170	240	370	M10	12	335	130	344	144	14
EJB3A	350	270	350	257	272	190	240	310	320	M12	14	280	200	290	210	18.5
EJB3RA	350	270	350	217	232	150	240	310	320	M12	14	280	200	290	210	16.5
EJB4A	430	330	410	274	289	207	290	370	390	M12	14	345	255	360	260	33
EJB4RA	430	330	410	217	232	150	290	370	390	M12	14	345	255	360	260	28.5
EJB5A	640	440	520	317	332	215	400	480	600	M12	14	565	350	576	376	64
EJB5RA	640	440	520	220	235	128	400	480	600	M12	14	565	350	576	376	55
EJB10	119	222	180	109.5	112.5	70	200	163	119	M6	6.2	90	175	102	182	5
EJB15	119	222	180	160	163	125	200	163	119	M6	6.2	90	175	102	182	5.5
EJB60	580	670	620	333	346	252	565	475	475	M12	14	445	535	570	480	96

Series Designation	Gas Group	Dust Group	Ambient Temperature Range
EJBS1, EJB10, EJB15	IIB+H ₂	IIIC	-40°C to +40°C or -40°C to +60°C
EJBS2, EJB 2/3/4/5 and EJB60	IIB or IIB+H ₂	IIIC	-20°C to +40°C or -20°C to +60°C

Entries and Thread Standards

- Each side of an enclosure will accommodate a varying number of tapped entries.
- Please provide a sketch indicating the enclosure required, showing the size and location of each entry.
- Standard thread forms available are ISO Metric M20-M90 or 1/2" - 3" NPT.

Options

- Hinges available for EJB3A, 4A, 5A, EJB3RA, EJB4RA, EJB5RA & EJB60 only, specify long or short side. (fitted as standard on EJBS1 & EJBS2).
- Chromate primed and polyester powder coated for added protection against corrosion - available on request.
- Mounting brackets available on request.



JCE (Europe) Ltd, East Way, Lee Mill Industrial Estate, Ivybridge, PL21 9LL
Tel: +44 (0) 1752 690530 Fax: +44 (0) 1752 690531
E-Mail: info@jcegroup.com

JCE Group (UK) Ltd, Blackburn Business Park, Aberdeen, AB21 0PS
Tel: +44 (0) 1224 798600 Fax: +44 (0) 1224 798601
E-Mail: info@jcegroup.com

- Details of certification and conformity can be provided on request.
- All products sold subject to our terms and conditions of business.
- Health and Safety at Work Act 1974. In the UK all equipment must be installed and disposed of (as required) within the legislative requirements of the Health & Safety at Work Act 1974.
- We reserve the right to make alterations to the technical data dimensions, weights, designs and product available without notice.
- The illustrations should not be considered legally binding.