

The JCE range of GUFX explosion proof enclosures are intended for use in areas made potentially hazardous by the presence of flammable liquids, gases, vapours and dusts (Zones 1, 2, 21 and 22).

This small enclosure can be supplied with a 4 or 6 way terminal block and can be fitted with small printed circuit boards.

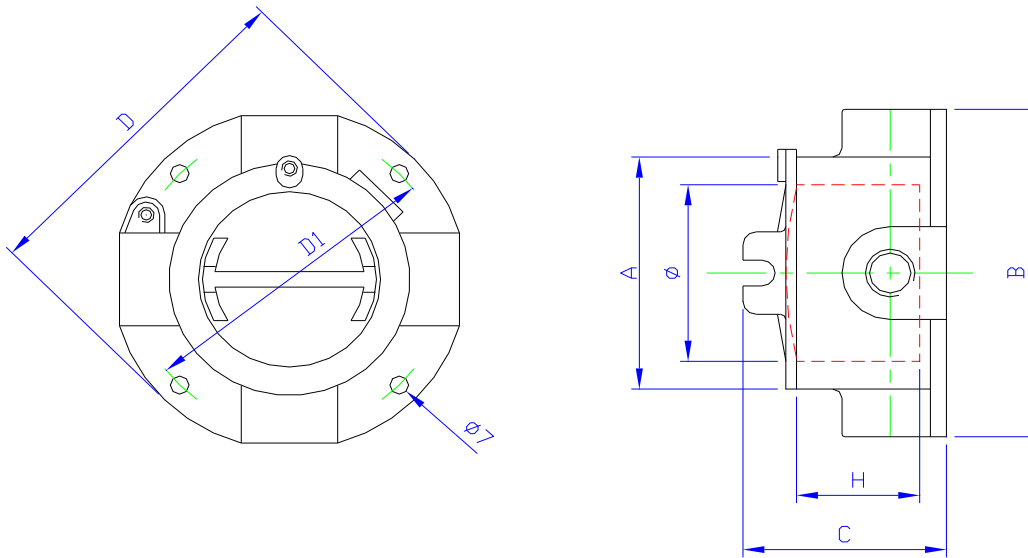
Materials and Finish

- Body & Cover -** Aluminium alloy, EN AC-42000 (LM25) to BS EN 1706:1998 with less than 0.2% copper content.
- Locking Screw -** Stainless steel (18/8)
- Finish -** Natural. A corrosion resistant finish is also available.
- Earthing -** All enclosures are supplied with a 4mm stainless steel (18/8) internal and external earth stud as standard.

Ratings and Approvals

- Categories -**
 - II 2 G
 - II 2 D
- Codes -** Ex d IIC T6 Gb
Ex tb IIIC T80°C Db
- Protection Grade -** With Gasket - IP66
Without Gasket - IP54
- Certificate Nos -** TRAC12ATEX0013X
IECEx TRC 12.0005X
- Temperature -** -40°C to +60°C

Dimensions



Enclosure Cat. No.	A	B	C	D	D1	H	Ø	Wt. Kg
GUFX	90	127	76	132	116	46	68.5	0.7

Entries and Thread Standards

- The GUFX is supplied with 4 entries, with a choice of M20, M25, 1/2" or 3/4" NPT. A combination of these sizes is permitted.

Options

- Primed and polyester powder coated for added protection against corrosion - available on request.



JCE (Europe) Ltd, East Way, Lee Mill Industrial Estate, Ivybridge, PL21 9LL
 Tel: +44 (0) 1752 690530 Fax: +44 (0) 1752 690531
 Email: info@jcegroup.com

JCE Group (UK) Ltd, Blackburn Business Park, Aberdeen, AB21 0PS
 Tel: +44 (0) 1224 798600 Fax: +44 (0) 1224 798601
 Email: info@jcegroup.com

- Details of certification and conformity can be provided on request.
- All products sold subject to our terms and conditions of business.
- Health and Safety at Work Act 1974. In the UK all equipment must be installed and disposed of (as required) within the legislative requirements of the Health & Safety at Work Act 1974.
- We reserve the right to make alterations to the technical data dimensions, weights, designs and product available without notice.
- The illustrations should not be considered legally binding.