

Ex Key Switch (KS)



ATEX



The JCE Group range of 'KS' explosion proof Key Switches are ATEX & IECEx certified, for fitting to control enclosures with compatible Exd product certification. Suitable for industrial and hazardous areas, these Key Switches are of a robust design and offer reliability during continuous operation. All devices are designed with IP66 ingress protection rating.

KS's are available with different styles of operations including 2 or 3 positions, spring to centre off.

Suitable for Zones 1 & 2 Gas Hazardous Areas, and Zones 21 & 22 Combustible Dust Hazardous Areas.


Full assembly kits are available upon request, which will include mounting kits for CA-10 switch blocks following clarification on switching arrangement.

Compatible with JCE Group EJB and GUB series enclosures.

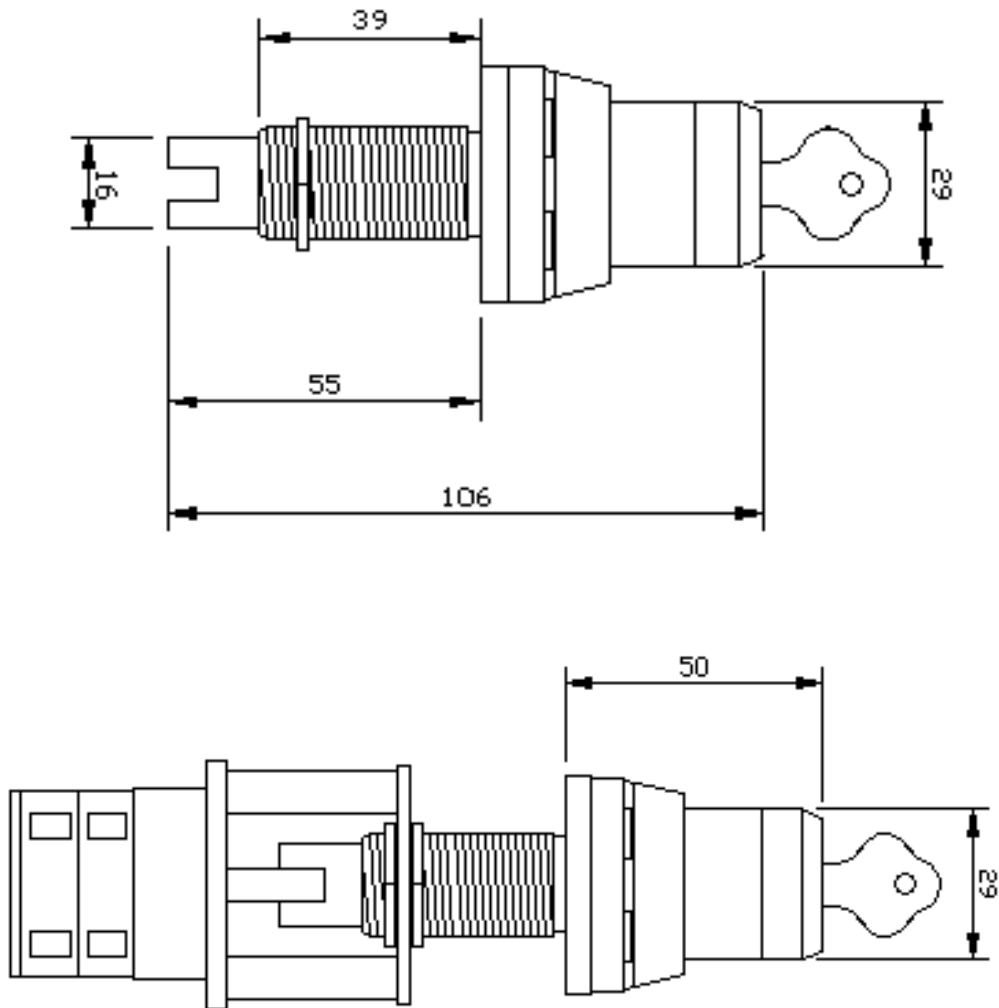
Materials and Finish

Body, shaft & locknut -	Stainless steel 316
Key switch head -	Anodised Aluminium
Gasket -	Black Neoprene
Keys -	Brass

Ratings and Approvals

Categories -	 II 2 G II 2 D
Codes -	II 2 G Ex d IIC Gb II 2 G Ex tb IIIC Db
Protection Grade -	IP66
Certificate Nos -	TRAC12ATEX0032U IECEXTRC12.0013U
Temperature -	-40°C to +60°C

Dimensions



Ordering Information

Type	Part Number
2 position Key Switch	206A02768
3 position Key Switch	206A02767



JCE (Europe) Ltd, East Way, Lee Mill Industrial Estate, Ivybridge, PL21 9LL
 Tel: +44 (0) 1752 690530 Fax: +44 (0) 1752 690531
 Email: info@jcegroup.com

JCE Group (UK) Ltd., Blackburn Business Park, Aberdeen, AB21 0PS
 Tel: +44 (0) 1224 798600 Fax: +44 (0) 1224 798601
 Email: info@jcegroup.com

- Details of certification and conformity can be provided on request.
- All products sold subject to our terms and conditions of business.
- Health and Safety at Work Act 1974. In the UK all equipment must be installed and disposed of (as required) within the legislative requirements of the Health & Safety at Work Act 1974.
- We reserve the right to make alterations to the technical data dimensions, weights, designs and product available without notice.
- The illustrations should not be considered legally binding.