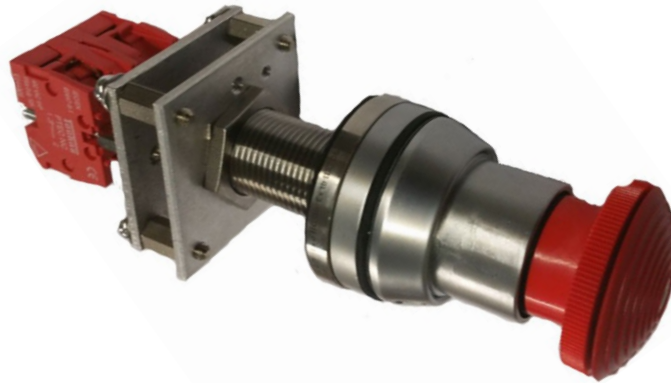


Ex Emergency Stop Button



ATEX



The JCE range of 'SP' explosion proof Emergency Stops are ATEX & IECEx certified, for fitting to control enclosures with compatible Ex d product certification. Suitable for industrial and hazardous areas, the Emergency Stop has a robust design and offer reliability during continuous operation.

SP's are available with different styles of reset operations including; twist, pull, & key.

Suitable for Zones 1 & 2 Gas Hazardous Areas, and Zones 21 & 22 Combustible Dust Hazardous areas.

Full assembly kits are available upon request, which will include mounting kits for contact blocks & N/O or N/C contact blocks. E/Stop labels and shrouds are also available at additional cost. Compatible with JCE EJB and GUB series enclosures.

Materials and Finish

Adapter, Shaft & Locknut - Stainless steel 316

Body - Chromed brass

Button Head - Nylon 6.6/
Anodised aluminium

Gasket - Black neoprene

Ratings and Approvals

Categories -



II 2 G
II 2 D

Codes -

Ex d IIC Gb
Ex tb IIIC Db

Protection Grade - IP66

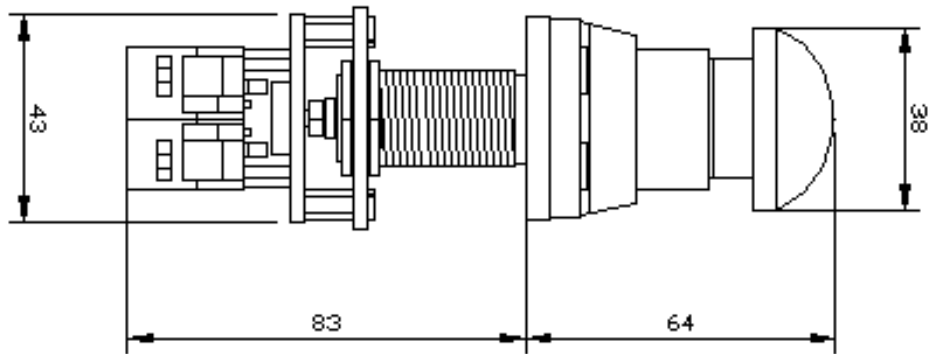
Certificate Nos -

TRAC12ATEX0032U
IECEX TRC 12.0013U

Temperature -

-40°C to +60°C

Dimensions



Ordering Information

Type	Part Number
Emergency Stop Button	202A02240



JCE (Europe) Ltd, East Way, Lee Mill Industrial Estate, Ivybridge, PL21 9LL
 Tel: +44 (0) 1752 690530 Fax +44 (0) 1752 690531
 Email: info@jcegroup.com

JCE Group (UK) Ltd, Blackburn Business Park, Aberdeen, AB21 0PS
 Tel: +44 (0) 1224 798600 Fax: +44 (0) 1224 798601
 Email: info@jcegroup.com

- Details of certification and conformity can be provided on request.
- All products sold subject to our terms and conditions of business.
- Health and Safety at Work Act 1974. In the UK all equipment must be installed and disposed of (as required) within the legislative requirements of the Health & Safety at Work Act 1974.
- We reserve the right to make alterations to the technical data dimensions, weights, designs and product available without notice.
- The illustrations should not be considered legally binding.