



The JCE range of 'SS' explosion proof Switch Actuators are ATEX & IECEx certified, for fitting to control enclosures with compatible Ex d or Ex tb product certification. Suitable for industrial and hazardous areas, these switch actuators are of a robust design and offer reliability during continuous operation. All devices are designed with IP66 ingress protection rating and are certified for group IIC & IIIC locations.

Suitable for Zones 1 & 2 Gas Hazardous Areas and Zones 21 & 22 Combustible Dust Hazardous Areas.

Other devices such as key switches and potentiometer switches can also be supplied, details on request.

Materials and Finish

SS1

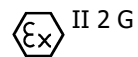
Body - Stainless steel 316
Handle - Nylon (Long or Short)

SS2

Body - Stainless steel 316
Handle - Aluminium EN AC-42000 (LM25) to BS EN 1706:1998 with less than 0.2 copper content.

Ratings and Approvals

Category -



Codes -

Ex d IIC Gb
 Ex tb IIIC Db

Protection Grade -

IP66

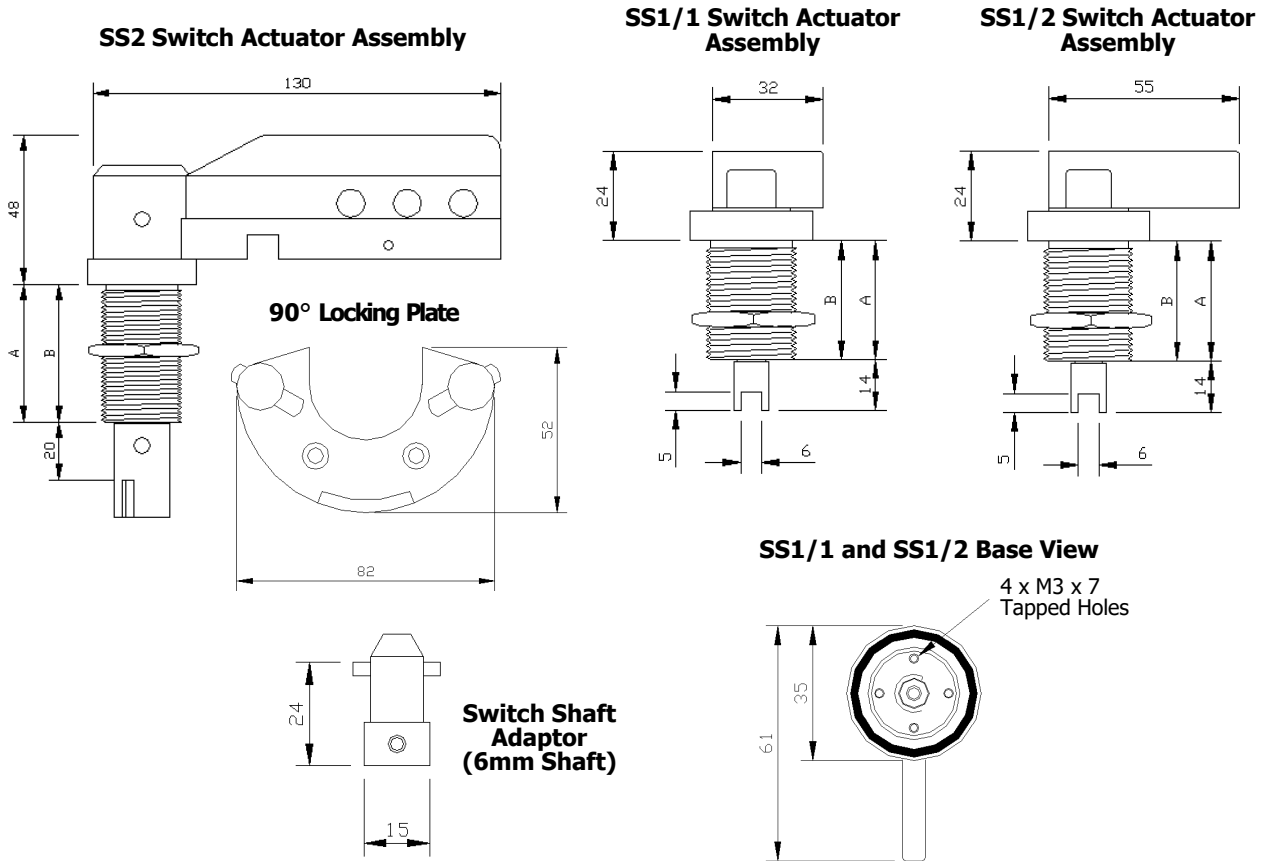
Certificate Nos -

TRAC12ATEX0032U
 IECEx TRC 12.0013U

Temperature -

-40°C to +60°C

Dimensions



Ordering Information

Switch Actuator	Thread Type	Standard Series Thread Length Part Nos	A	Long Series Thread Length Part Nos	B
SS1/1	M25 x 1.5	203A02095	32mm	203A02355	48mm
SS1/2	M25 x 1.5	203A02340	32mm	203A02356	48mm
SS2	M25 x 1.5	204A02096	44mm	204A02357	48mm
SS1/1	3/4" NPSM	203A02479	32mm	203A02487	48mm
SS1/2	3/4" NPSM	203A02480	32mm	203A02488	48mm
SS2	3/4" NPSM	204A02481	44mm	204A02089	48mm

The part numbers above are for standard, uncoated handles

Options

- Special shaft configurations & lengths can be manufactured to customer's specifications.
- Coatings are available upon request.



JCE (Europe) Ltd, East Way, Lee Mill Industrial Estate, Ivybridge, PL21 9LL
 Tel: +44 (0) 1752 690530 Fax: +44 (0) 1752 690531
 E-Mail: info@jcegroup.com

JCE Group (UK) Ltd, Blackburn Business Park, Aberdeen, AB21 0PS
 Tel: +44 (0) 1224 798600 Fax: +44 (0) 1224 798601
 E-Mail: info@jcegroup.com

- Details of certification and conformity can be provided on request.
- All products sold subject to our terms and conditions of business.
- Health and Safety at Work Act 1974. In the UK all equipment must be installed and disposed of (as required) within the legislative requirements of the Health & Safety at Work Act 1974.
- We reserve the right to make alterations to the technical data dimensions, weights, designs and product available without notice.
- The illustrations should not be considered legally binding.